

BYK-CW2 In Motion Checkweighers

Controls for boxes, packages & bags



Rugged and Powerful design

- OIML class , stainless steel , hermetic IP68 waterproof , , strain gage type precision load cell
- Steel or Stainless Steel, IP65 construction
- Asynchronous IP54 motor with reducer
- Easy replaceable and cleanable PVC conveyor belt
- Optional feeding and reject conveyors
- Optional rollers type design (Specially for reject conveyor)
- Adjustable conveyor height

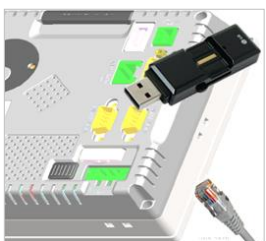


User-friendly touch screen operation

- IP65 front panel, 7" color and touchscreen operator panel
- User-friendly software
- 3 or 5 classification output
- 100 product memory (Alphanumeric article name, tolerance weights and speeds)

Data Transmission

- Limits and statistic report to USB memory
- Standart RS232C / RS485 interface for remote display or serial printer
- Optional Ethernet interface and host transmission



BAYKON BYK-CW2 Checkweighers designed for large and heavy packages, boxes or bags checking end of line completeness and weight capture up to 60 kg.

The product is weighed while it is on the production line. Weight zones are defined for all products in advance and items that are not within their weight zone are rejected during production and alarm signal is produced. Single intelligent user interface with 7" touchscreen for product settings, statistics and exact control of the checkweigher.

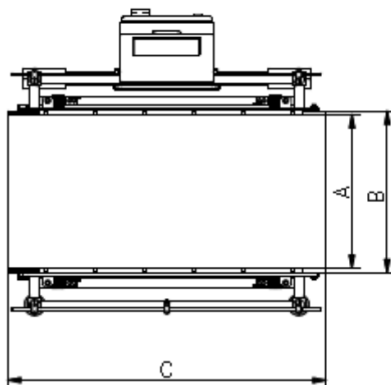
Customer-specific configuration including height, width, length, location of the weighing terminal and construction materials with CW2F models.

Advantages

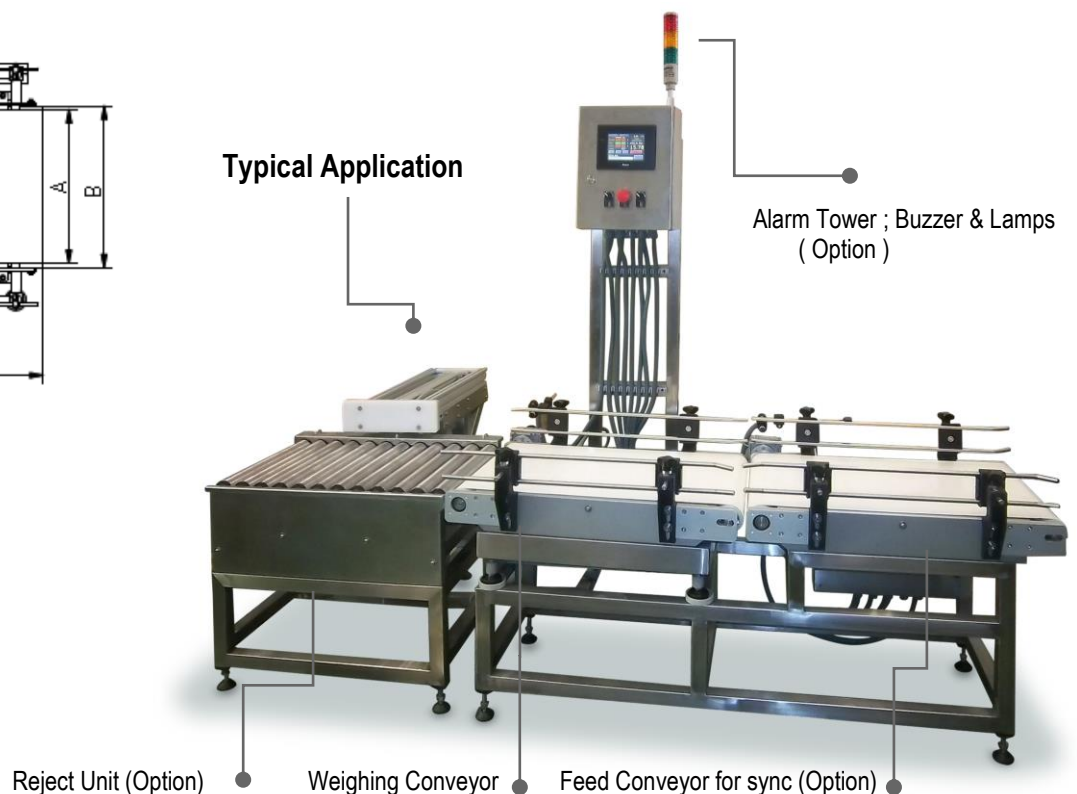
- Steel or Stainless Steel construction (some necessary moving parts aluminum)
- User-friendly touch screen operation with 7" color and touchscreen operator panel
- IP68 waterproof precision load cell and advanced weighing
- Powerful adaptive digital filter for fast and stable reading
- 100 product memory (Including alphanumeric article name, tolerance weights and belt speeds)
- 3 or 5 tolerance relay outputs
- Instant grafical monitoring with statistics values
- Detail statistics reports and transferred to USB memory
- Process error messages
- Manuel or automatic zeroing
- Adjustable brackets and support barriers
- Password protection to prevent unauthorized peoples (supervisor and operator passwords)
- Data collection software for multi-use
- Language selection (Turkish,English , Arabic)

Model	BYK-CW2S		BYK-CW2M		BYK-CW2L	BYK-CW2F**
Weight Capacity (g)	15000 g	30000 g	30000 g	60000 g	60000 g	max. 60000 g
Accuracy *	≥ 5 g		≥ 10 g	≥ 20 g	≥ 50 g	*
Indication divisions **	5 g / 10 g / 20 g		10 g / 20 g / 50 g		20 g / 50 g / 100 g	*
Certification	CE					
Operating temperature	0° to +40°C					
Construction	Steel or Stainless Steel construction (some necessary moving parts aluminum)					
Protection Class	IP54					
Conveyor Speed **	0,1 – 1 m/sn		0,1 – 0,6 m/sn		0,1 – 0,4 m/sn	
Throughput (Max .)	60 pcs / min		40 pcs / min		30 pcs / min	**
Reject Unit	Optional (Pusher with belt or roller conveyor)					
Weighing Conveyor Width (B)	280 mm		400 mm		800 mm	Max. 800 mm
Belt Width (A)	280 mm		400 mm		800 mm	Max. 800 mm
Weighing Conveyor Length (C)	400 mm		600 mm		1000 mm	Max 1200 mm
Weighing Conveyor Height	Standard 500 mm – 800 mm					
Max .product dimensions (Length x Width)	250 x 220 mm		400 x 350 mm		800 x 750 mm	**

** Depends on the weight, dimensions, and transport of the product to be weighed



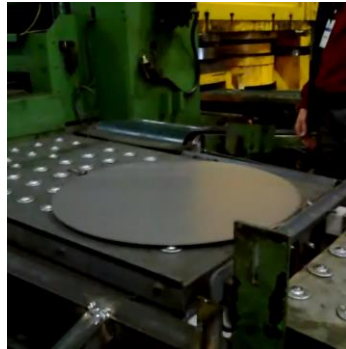
Typical Application



Customized Checkweighing Applications



In motion paper coil



In motion sheet metal



Coin Bag



Fish weighing & classifying



Box checkweighing



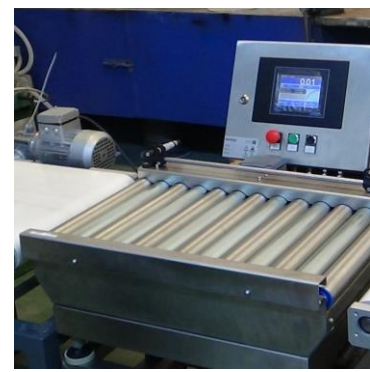
Rubber weighing conveyor



Glass wool weighing



Locks package control



Roller conveyor checkweigher

For questions ; project@baykon.com