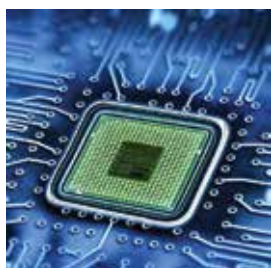


BR032SD Digital Load Cells

New generation heavy-capacity weighing



Reliable, Durable, Highly Precise

- In-built Hybrid Processor
- Secure, fast and correct digital output signal (RS 485)
- The fully welded stainless steel structure
- Hermetically sealed, IP68
- Quick-connect design watertight connectors
- Water resist cables protected by braided stainless steel sheathing
- Advanced A/D converter
- Self-aligning suspension, stainless steel upper and lower receivers



Easy and Fast Maintenance

- Easy and fast scale setup
- Electronic calibration & corner adjustment
- Fast fault finding and simplifies service
- Eliminated spoiling influences
- Heavy-duty and water resist cables
- Standard Lightning & Surge Voltage Protection
- Unmatched Value (Factory calibration)
- Operates with intelligent weight indicator or terminals for advanced applications
- No junction boxes up to 24 cells digital serial network



BAYKON BR032SD digital load cells are designed to use mainly for vehicle scales and similar heavy-capacity weighing applications. It is a compression type load cell with an integral rocker-pin design that automatically aligns load forces for accurate weighing. With its stainless steel, IP68 hermetically sealed enclosure, it can be used safely in harsh environments.

Baykon BR032SD digital load cells provide more accurate, fast and effective service opportunity with technologic design structure. Those digital load cells; eliminate possible errors which can occur with standard analogue load cell scales such as temperature, nonlinearity, hysteresis, electromagnetic effects and voltage variation. Weighing is blocked in case of load cell is broken.

Its advanced electronic design provide high resolution and long term stable digital output signal for accurate and reliable measurement. BR32SD digital load cells are matched at the production which provides direct replacement without calibration with test weights for non-legal scales.

BAYKON
Industrial Weighing Systems

Fast service, low maintenance cost, high precision and reliability...

BAYKON Model BR032SD digital load cells have high protection structures and intelligent microprocessors integrated into them and represent the latest in weighing technology, high accuracy and reliability along. They have been designed to use for many years with all their superior features without any problems and are ideal for trucks and rail weighbridges and similar heavy capacity scale applications.

Full Protection

- ✓ 100 % Stainless steel, IP68 structure
- ✓ Hermetically sealed and laser-welded ensure
- ✓ Physical damage resistant



Simplify Maintenance

- ✓ Easy and fast error detection
- ✓ No junction boxes up to 24 cells digital serial network
- ✓ Smart Electronic calibration and corner adjust
- ✓ Unmatched Value (Factory default calibration)
- ✓ The quick-connect design makes it easy to replace individual load cells or cables.

Eliminated Spoiling Influences

- ✓ Temperature
- ✓ Voltage variation
- ✓ Non-linearity
- ✓ Hysteresis
- ✓ Instability
- ✓ Electromagnetic effects
- ✓ Zero and sensitivity change

Strong Weight Signal

- ✓ Heavy-duty and water resist cables protected by braided stainless steel sheathing
- ✓ Safe connecting with Quick-connect design watertight connector
- ✓ Secure, fast and correct communication

Best Load Transfer

- ✓ Self-aligning suspension
- ✓ Stainless steel upper and lower receivers
- ✓ Debris retarding rubber boot

Connection to Intelligent Terminals

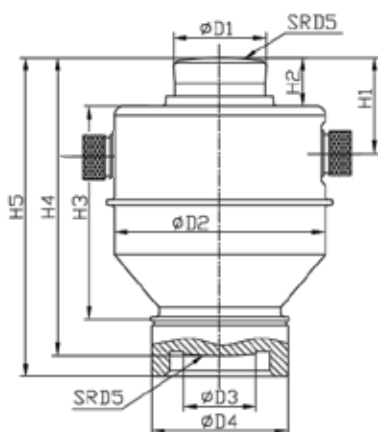
- ✓ European/OIML Approval
- ✓ Monitors performance, detects problems and simplifies service
- ✓ Easy scale setup and calibration
- ✓ Lightning & Surge Voltage Protection
- ✓ Alibi memory
- ✓ Excellent weighing functions
- ✓ Advanced applications such as truck scale, labelling, data collecting etc



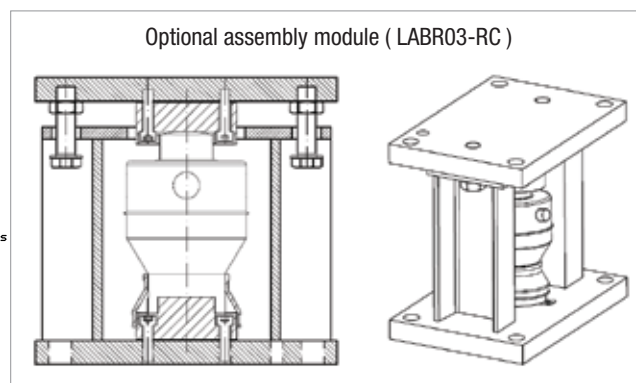
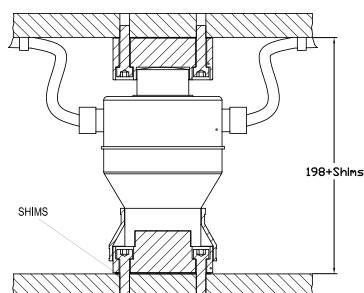
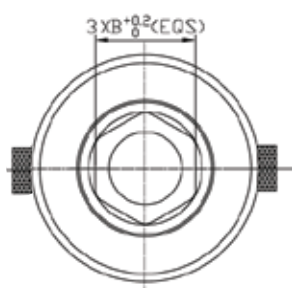
Technical Specifications

Maximum capacity (E_{max})	t	20 / 30 / 50 / 100
Accuracy class according to OIML R60		C3
Minimum dead load	t	0
Maximum number of verification intervals (nLC)		5000
Minimum load cell verification interval ($Y = E_{max}/V_{min}$)		10000
Fraction factor	pLC	0.8
Temperature effect on zero	%F.S. / 10°C	0.014
Temperature effect on sensitivity (-10 ~ +20 °C)	%F.S. / 10°C	0.007
Temperature effect on sensitivity (+20 ~ +40 °C)	%F.S. / 10°C	0.0105
Internal resolution	Counts @ E_{max}	≥ 6000000
External resolution	Counts @ E_{max}	≥ 50000
Safe load limit	% E_{max}	150
Ultimate load	% E_{max}	300
Zero balance	% RO	$< \pm 1$
Zero Return, 30 min.	% RO	± 0.01
Excitation, recommended	V DC	10
Excitation, maximum	V DC	18
Insulation impedance	M Ω	≥ 5000
Temperature range, compensated	°C	-10... + 40
Temperature range, operating	°C	- 30... + 70
Construction		Stainless steel, Hermetically welded
Environmental protection		IP68, IP69K
Cable		Stainless steel sheathing, Length 7m, dia. 8mm with two connector
Package size & weight		380 x 320 x 190 mm - 7,5 kg

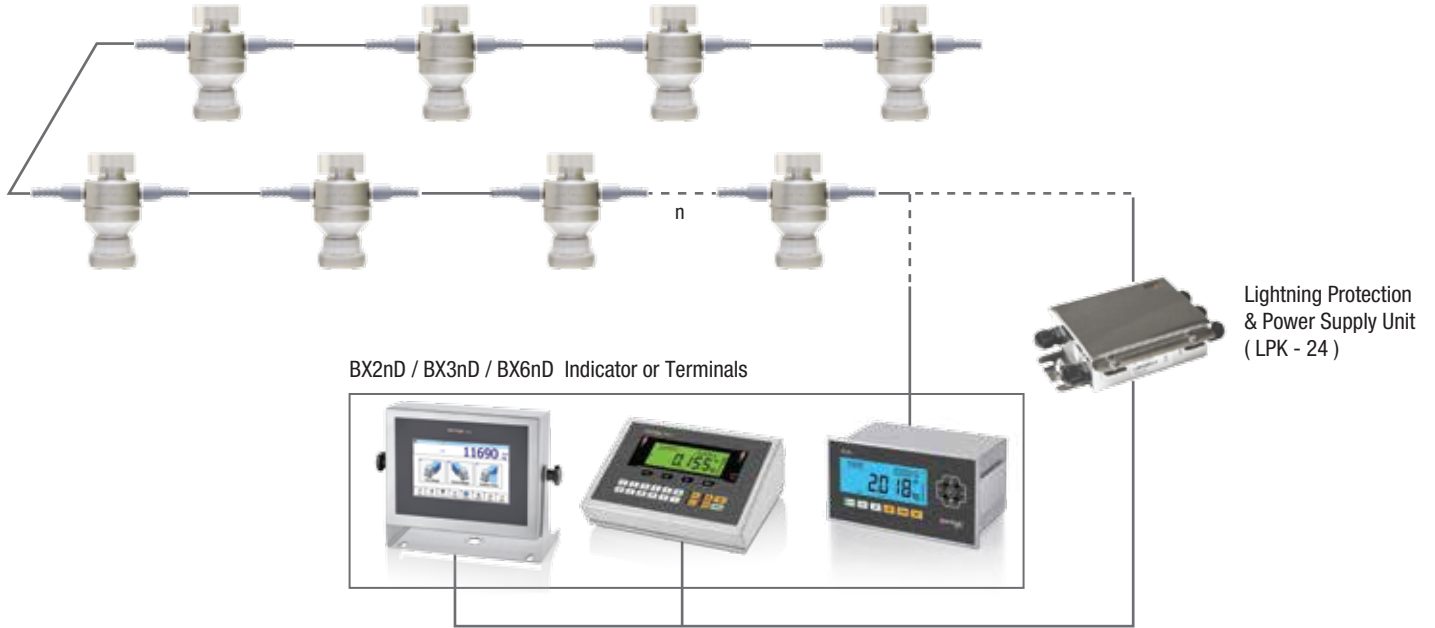
Dimensions (mm)



(mm)	B	D1	D2	D3	D4	D5	H1	H2	H3	H4	H5
Load (t)											
20	47	43.6	99	34	64	150	45	23	100	140	150
30	47	43.6	99	34	64	160	45	23	100	140	150
50	47	43.6	99	34	64	200	45	23	100	140	150
100	70	70	159	56	86	300	65	30	130	185	200



Typical Application



Order Codes

Component	Quantity of Each Component in Each Load Cell Kit		
	BR032K4-RC	BR032K6-RC	BR032K8-RC
Load Cell	4	6	8
Upper receiver	4	6	8
Lower receiver	4	6	8
Debris shield	4	6	8
Ground cable (300 mm)	4	6	8
LC to LC cable with connector	4 (7 m)	6 (7 m)	8 (7 m)
Shims (Two thicknesses)	8	12	16
Cable / Connector clamps	8	12	16
Home run cable with connector	20 m (Different lengths ordered separately)		
Weight indicator or terminal	1 (Must be ordered separately, BX2nD / BX3nD / BX6nD)		
LPK-24 lightning protection & power	Standard for BX2nD & BX6nD series, Optional for BX3nD series		
Assembly module (Optional and ordered separately)	4 (LABR03-RC)	6 (LABR03-RC)	8 (LABR03-RC)

RC : Rated Capacity (20 ,30, 50, 100 t)