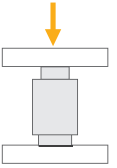


BR016S

Compression Load Cell



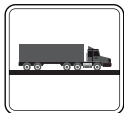
Applications



Tank & Silo



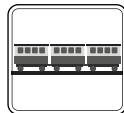
Industrial Processes



Truck Scales



High Capacity Applications



Railroad Truck Scales

Key Features

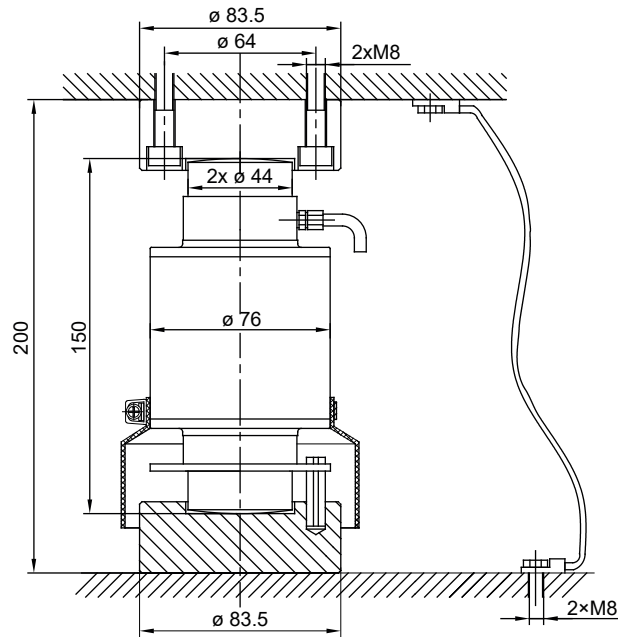
- Capacities: 10~50 t
- Stainless steel construction
- Protection class: IP68

BR016S is a high performance fully welded compression type load cell. It perfect fits for use in high capacity weighing systems such as truck scales, axle scales, heavy capacity floor scales, tank scales, ship weighing and other heavy capacity industrial applications. BR016S is supplied with Rockwell 44 hardened upper and lower receivers as standard.

Technical Specifications

Model		BR016S
Capacity (E_{max})	t	10 / 15 / 20 / 25 / 30 / 40 / 50
Accuracy class		G3
Rated output (RO)	mV / V	2.0 ± 0.002
Temperature effect on zero	%RO / 10°C	± 0.0175
Temperature effect on sensitivity	%RO / 10°C	± 0.0175
Combined error	%RO	± 0.03
Safe load limit	% E_{max}	150
Ultimate load	% E_{max}	200
Zero balance	%RO	± 1.0
Creep error (30 minutes)	%RO	± 0.017
Excitation voltage, recommended	V (DC)	5 - 12
Excitation voltage, maximum	V (DC)	15
Input resistance	Ω	700 ± 10
Output resistance	Ω	700 ± 10
Insulation resistance (at 50 V DC)	M Ω	≥5000
Compensated temperature range	°C	- 10...+ 40
Operating temperature range	°C	- 35...+ 65
Material		Stainless steel
Protection class		IP 68
Cable		Length: 8 meter (10 t), 10 meter (15 t), 12 meter (20 t,25 t), 14 meter (30 t), 16 meter (40 t,50 t) Diameter: 5mm

Dimensions (mm)



Color Codes

Function	Colors
+ excitation	blue
- excitation	black
+ signal	white
- signal	red
shield	yellow