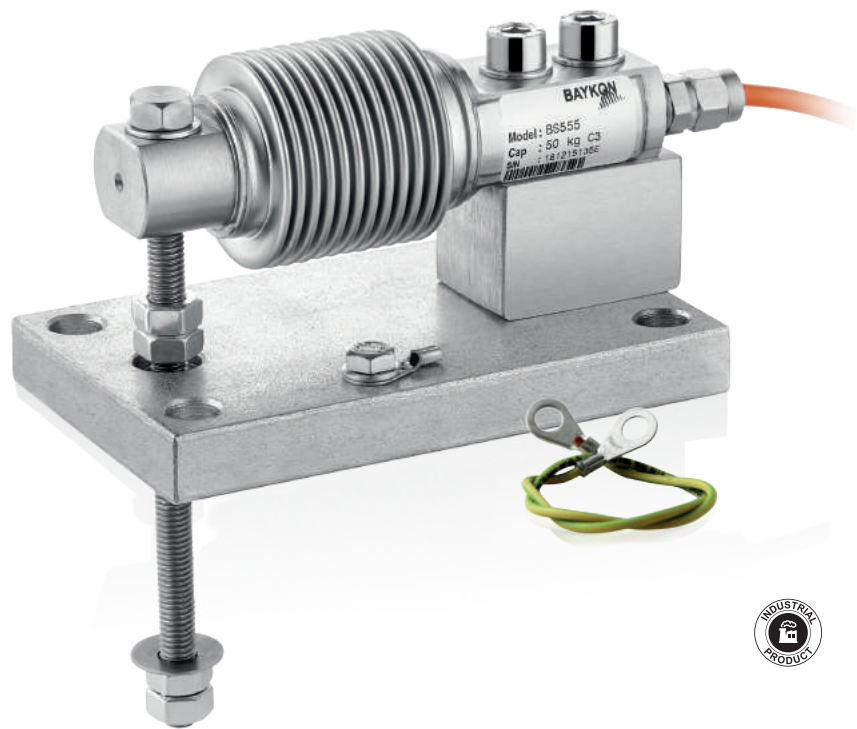
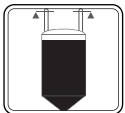


LA66200T Weigh Module

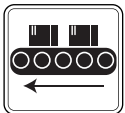
For Bellows Type Load Cells



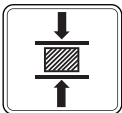
Applications



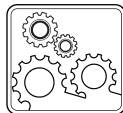
Suspended Vessel



Conveyor Scales



Testing Machines



Industrial Processes

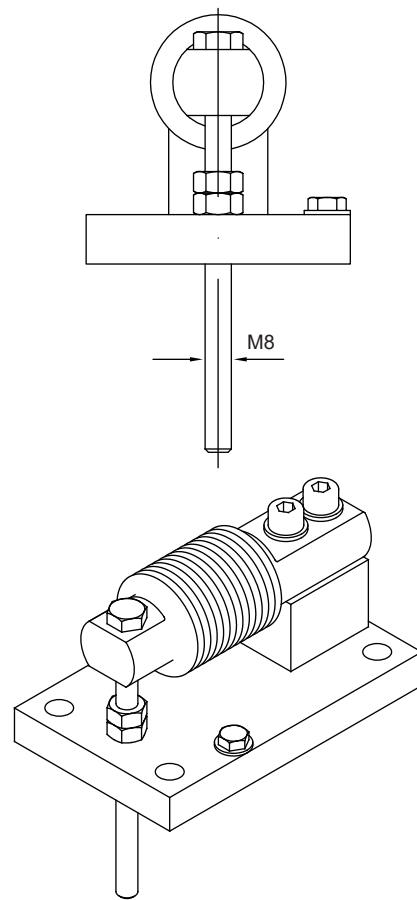
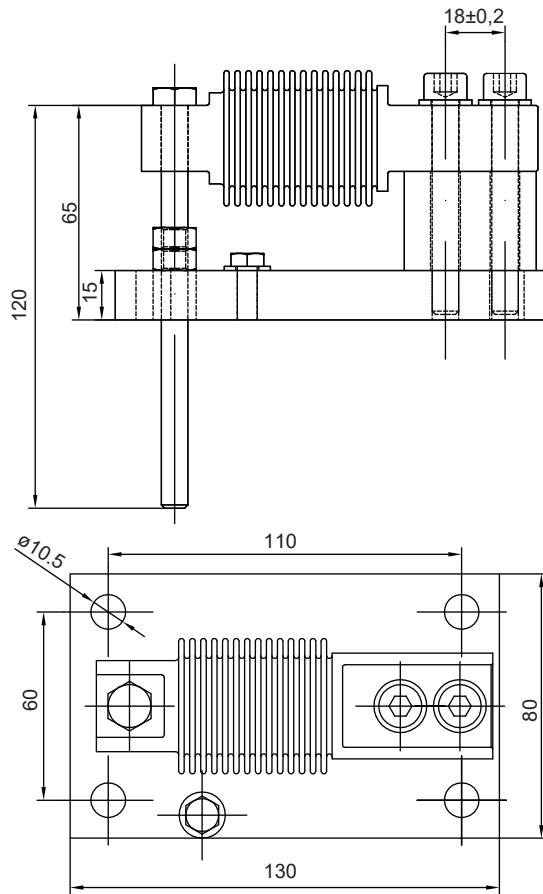
Key Features

- Capacity: Between 10 kg and 250 kg
- Easy to install and maintain
- Integrated overload and swing protection
- Standard galvanized steel
- Stainless steel option

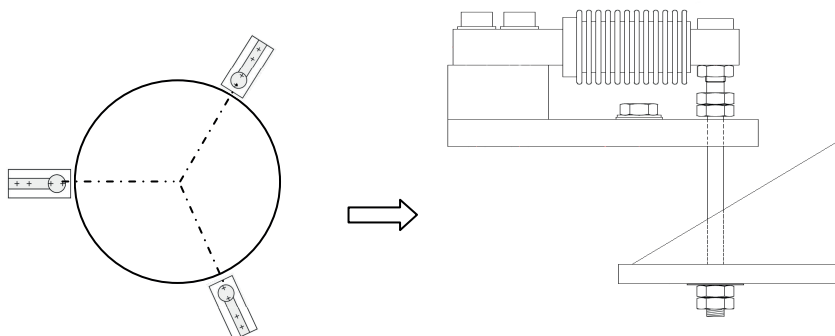
LA66200T weigh module equipped with bellows load cells is cost effective solution for low capacity suspended weighing systems. It offers high stable weighing performance and safety with its overload and swing protection. The module can be used with similar bellows load cells of various brands which have the same physical specifications.

Technical Specifications

Dimensions (mm)



Application



Tank, bunker weighing

Load cells compatible with the kit

Compatible Load Cell Types	
Brand	Model
Baykon	BS555
Mettler Toledo	MTB
Flintec	SB6 - SB8
Vishay	355